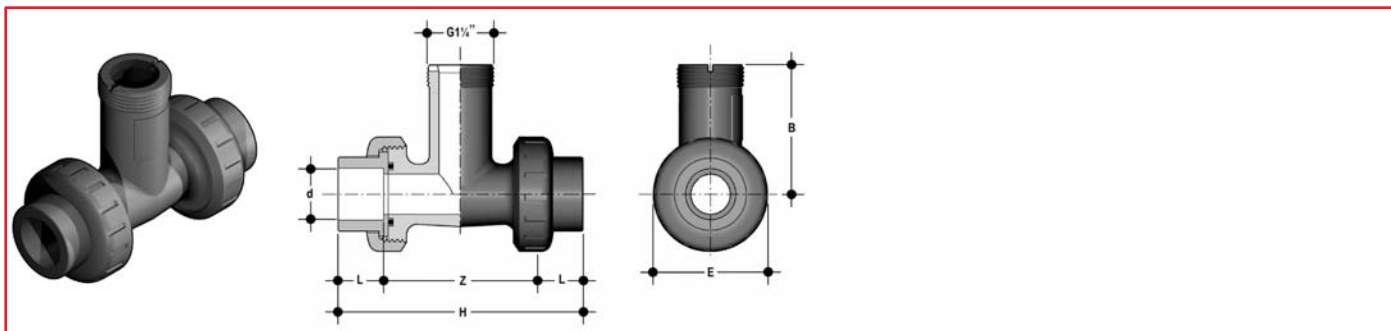
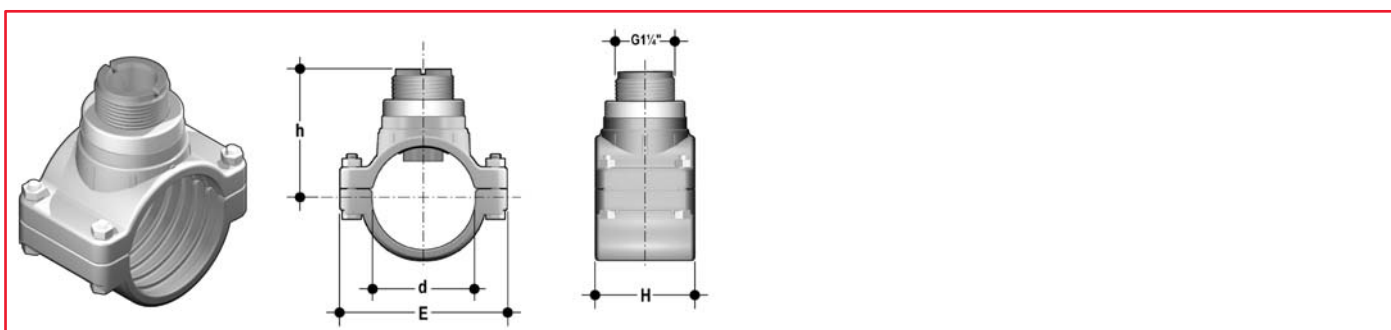


Installazione su tubi in PVC



Raccordi a T in PVC serie ISO (Attacchi femmina per incollaggio)

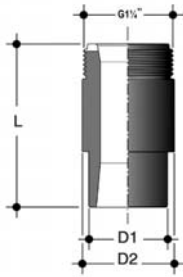
Articolo	DN	d	O-Ring	H	Z	L	B	E	Lunghezza sensore
TFIV20B	15 mm	20	EPDM	107	75	16	77	53	L0
TFIV25B	20 mm	25	EPDM	120	82	19	80	62	L0
TFIV32B	25 mm	32	EPDM	134	90	22	81	71	L0
TFIV40B	32 mm	40	EPDM	164	112	26	84	84	L0
TFIV50B	40 mm	50	EPDM	199	138	31.5	82.5	98	L0
TFIV20D	15 mm	20	FPM	107	75	16	77	53	L0
TFIV25D	20 mm	25	FPM	120	82	19	80	62	L0
TFIV32D	25 mm	32	FPM	134	90	22	81	71	L0
TFIV40D	32 mm	40	FPM	164	112	26	84	84	L0
TFIV50D	40 mm	50	FPM	199	138	31.5	82.5	98	L0



Prese a staffa serie ISO

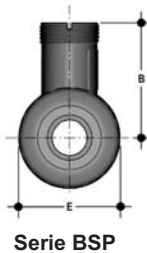
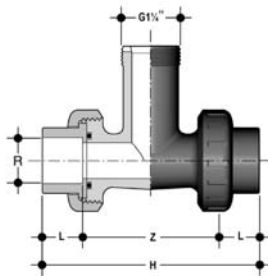
Articolo	DN	d	O-Ring	Corpo	Inserto	E	h	H	Diametro di foratura	Lunghezza sensore
SCIC063BVC	50	63	EPDM	PVC-C	PVC-C	116	86.7	105	35	L0
SCIC075BVC	65	75	EPDM	PVC-C	PVC-C	134	90.8	105	35	L0
SCIC090BVC	80	90	EPDM	PVC-C	PVC-C	152	95.9	105	40	L0
SCIC110BVC	100	110	EPDM	PVC-C	PVC-C	176	102.8	105	40	L0
SCIC125BVC	110	125	EPDM	PVC-C	PVC-C	190	137.9	112	40	L1
SCIC140BVC	125	140	EPDM	PVC-C	PVC-C	214	143.1	114	40	L1
SCIC160BVC	150	160	EPDM	PVC-C	PVC-C	238	149.9	120	40	L1
SCIC200BVC	180	200	EPDM	PVC-C	PVC-C	300	163.7	133	40	L1
SCIC225BVC	200	225	EPDM	PVC-C	PVC-C	333	172.3	125	40	L1
SCIC063DVC	50	63	FPM	PVC-C	PVC-C	116	86.7	105	35	L0
SCIC075DVC	65	75	FPM	PVC-C	PVC-C	134	90.8	105	35	L0
SCIC090DVC	80	90	FPM	PVC-C	PVC-C	152	95.9	105	40	L0
SCIC110DVC	100	110	FPM	PVC-C	PVC-C	176	102.8	105	40	L0
SCIC125DVC	110	125	FPM	PVC-C	PVC-C	190	137.9	112	40	L1
SCIC140DVC	125	140	FPM	PVC-C	PVC-C	214	143.1	114	40	L1
SCIC160DVC	150	160	FPM	PVC-C	PVC-C	238	149.9	120	40	L1
SCIC200DVC	180	200	FPM	PVC-C	PVC-C	300	163.7	133	40	L1
SCIC225DVC	200	225	FPM	PVC-C	PVC-C	333	172.3	125	40	L1
SMIC250IVC	225	250	NBR	PP	PVC-C	324	203.5	79	40	L1
SMIC280IVC	250	280	NBR	PP	PVC-C	385	212.2	88	40	L1
SMIC315IVC	280	315	NBR	PP	PVC-C	385	220.1	88	40	L1

Installazione su tubi in PVC

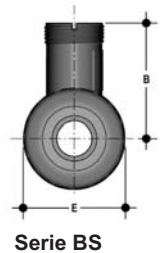
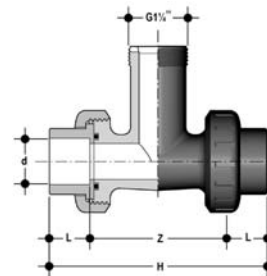


Raccordi ad incollaggio in PVC

Articolo	DN	d	L	D1	D2	Diametro di foratura	Lunghezza sensore
WAIV063	50	63	68.5	50	40	40	L0
WAIV075	65	75	68.5	50	40	40	L0
WAIV090	80	90	68.5	50	40	40	L0
WAIV110	100	110	68.5	50	40	40	L0
WAIV125	110	125	68.5	50	40	40	L0
WAIV140	125	140	68.5	50	40	40	L0
WAIV160	150	160	68.5	50	40	40	L0
WAIV200	180	200	68.5	50	40	40	L0
WAIV225	200	225	68.5	50	40	40	L0
WAIV250	225	250	98.5	50	40	40	L1
WAIV280	250	280	98.5	50	40	40	L1
WAIV315	280	315	98.5	50	40	40	L1



Serie BSP



Serie BS

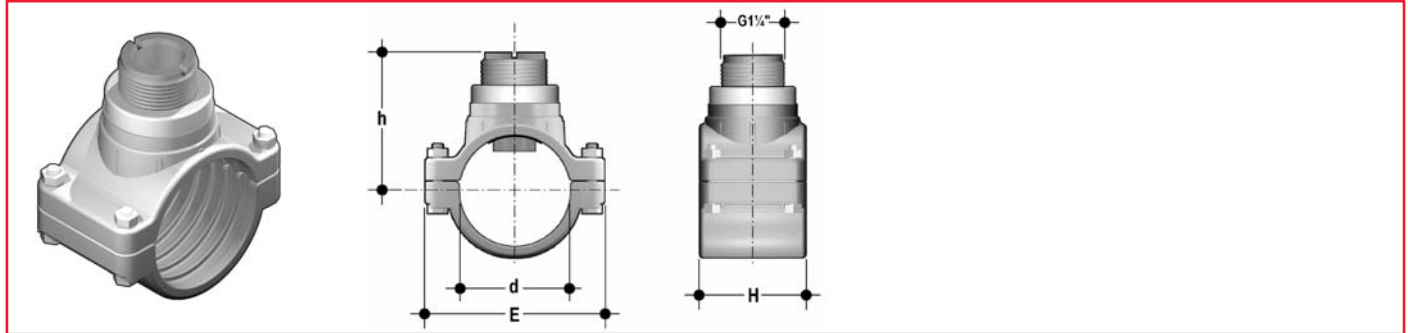
Raccordi a T in PVC serie BSP (attacchi femmina filettati GAS)

Articolo	DN	R	O-Ring	H	Z	L	B	E	Lunghezza sensore
TFFV20B	0.50"	0.50	EPDM	107	75	16	77	53	L0
TFFV25B	0.75"	0.75	EPDM	120	82	19	80	62	L0
TFFV32B	1.00"	1.00	EPDM	134	90	22	81	71	L0
TFFV40B	1.25"	1.25	EPDM	164	112	26	84	84	L0
TFFV50B	1.50"	1.50	EPDM	199	138	31.5	82.5	98	L0
TFFV20D	0.50"	0.50	FPM	107	75	16	77	53	L0
TFFV25D	0.75"	0.75	FPM	120	82	19	80	62	L0
TFFV32D	1.00"	1.00	FPM	134	90	22	81	71	L0
TFFV40D	1.25"	1.25	FPM	164	112	26	84	84	L0
TFFV50D	1.50"	1.50	FPM	199	138	31.5	82.5	98	L0

Raccordi a T in PVC serie BS (attacchi femmina per incollaggio)

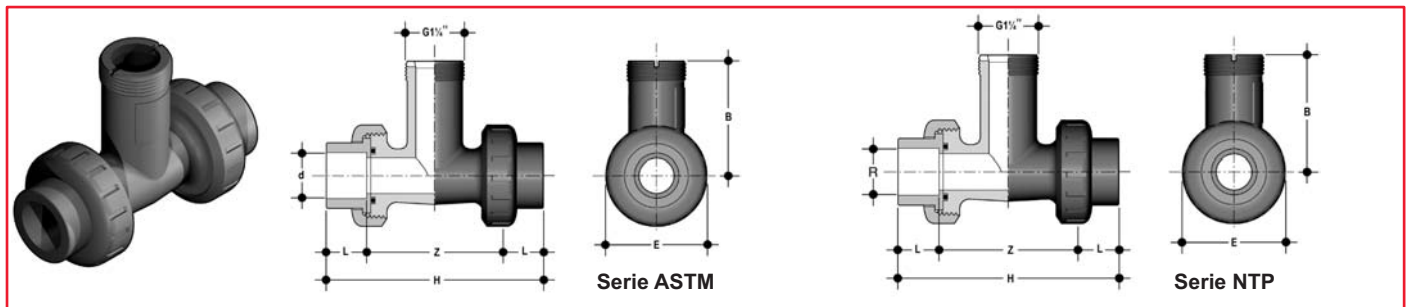
Articolo	DN	d	O-Ring	H	Z	L	B	E	Lunghezza sensore
TFLV20B	0.50"	21.6 (0.85")	EPDM	107	75	16	77	53	L0
TFLV25B	0.75"	26.9 (1.06")	EPDM	120	82	19	80	62	L0
TFLV32B	1.00"	33.8 (1.33")	EPDM	134	90	22	81	71	L0
TFLV40B	1.25"	42.4 (1.67")	EPDM	164	112	26	84	84	L0
TFLV50B	1.50"	48.5 (1.91")	EPDM	199	138	31.5	82.5	98	L0
TFLV20D	0.50"	21.6 (0.85")	FPM	107	75	16	77	53	L0
TFLV25D	0.75"	26.9 (1.06")	FPM	120	82	19	80	62	L0
TFLV32D	1.00"	33.8 (1.33")	FPM	134	90	22	81	71	L0
TFLV40D	1.25"	42.4 (1.67")	FPM	164	112	26	84	84	L0
TFLV50D	1.50"	48.5 (1.91")	FPM	199	138	31.5	82.5	98	L0

Installazione su tubi in PVC



Prese a staffa serie BS

Articolo	DN	d	O-Ring	Corpo	Inserto	E	h	H	Diametro di foratura	Lunghezza sensore
SCLC2.0BVM	2.00"	60.3 (2.375")	EPDM	PVC-C	PVC-C	116	85.3	105	35	L0
SCLC3.0BVM	3.00"	88.9 (3.500")	EPDM	PVC-C	PVC-C	152	95.0	105	40	L0
SCLC4.0BVM	4.00"	114.3 (4.500")	EPDM	PVC-C	PVC-C	176	103.5	105	40	L0
SCLC6.0BVM	6.00"	168.3 (6.625")	EPDM	PVC-C	PVC-C	238	151.7	120	40	L1
SCLC8.0BVM	8.00"	219.1 (8.625")	EPDM	PVC-C	PVC-C	333	169.8	125	40	L1
SCLC2.0DVM	2.00"	60.3 (2.375")	FPM	PVC-C	PVC-C	116	85.3	105	35	L0
SCLC3.0DVM	3.00"	88.9 (3.500")	FPM	PVC-C	PVC-C	152	95.0	105	40	L0
SCLC4.0DVM	4.00"	114.3 (4.500")	FPM	PVC-C	PVC-C	176	103.5	105	40	L0
SCLC6.0DVM	6.00"	168.3 (6.625")	FPM	PVC-C	PVC-C	238	151.7	120	40	L1
SCLC8.0DVM	8.00"	219.1 (8.625")	FPM	PVC-C	PVC-C	333	169.8	125	40	L1



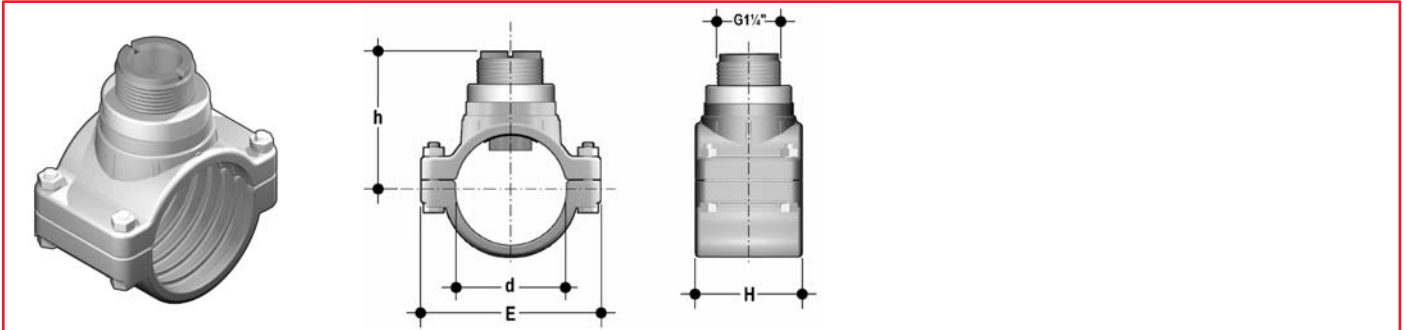
Raccordi a T in PVC serie ASTM SCH. 80 (Attacchi femmina per incollaggio)

Articolo	DN	d	O-Ring	H	Z	L	B	E	Lunghezza sensore
TFAV20B	0.50"	21.6 (0.85")	EPDM	107	75	16	77	53	L0
TFAV25B	0.75"	26.9 (1.06")	EPDM	120	82	19	80	62	L0
TFAV32B	1.00"	33.8 (1.33")	EPDM	134	90	22	81	71	L0
TFAV40B	1.25"	42.4 (1.67")	EPDM	164	112	26	84	84	L0
TFAV50B	1.50"	48.5 (1.91")	EPDM	199	138	31.5	82.5	98	L0
TFAV20D	0.50"	21.6 (0.85")	FPM	107	75	16	77	53	L0
TFAV25D	0.75"	26.9 (1.06")	FPM	120	82	19	80	62	L0
TFAV32D	1.00"	33.8 (1.33")	FPM	134	90	22	81	71	L0
TFAV40D	1.25"	42.4 (1.67")	FPM	164	112	26	84	84	L0
TFAV50D	1.50"	48.5 (1.91")	FPM	199	138	31.5	82.5	98	L0

Raccordi a T in PVC serie NPT (Attacchi femmina filettati NPT)

Articolo	DN	R	O-Ring	H	Z	L	B	E	Lunghezza sensore
TFNV20B	0.50"	0.50	EPDM	107	75	16	77	53	L0
TFNV25B	0.75"	0.75	EPDM	120	82	19	80	62	L0
TFNV32B	1.00"	1.00	EPDM	134	90	22	81	71	L0
TFNV40B	1.25"	1.25	EPDM	164	112	26	84	84	L0
TFNV50B	1.50"	1.50	EPDM	199	138	31.5	82.5	98	L0
TFNV20D	0.50"	0.50	FPM	107	75	16	77	53	L0
TFNV25D	0.75"	0.75	FPM	120	82	19	80	62	L0
TFNV32D	1.00"	1.00	FPM	134	90	22	81	71	L0
TFNV40D	1.25"	1.25	FPM	164	112	26	84	84	L0
TFNV50D	1.50"	1.50	FPM	199	138	31.5	82.5	98	L0

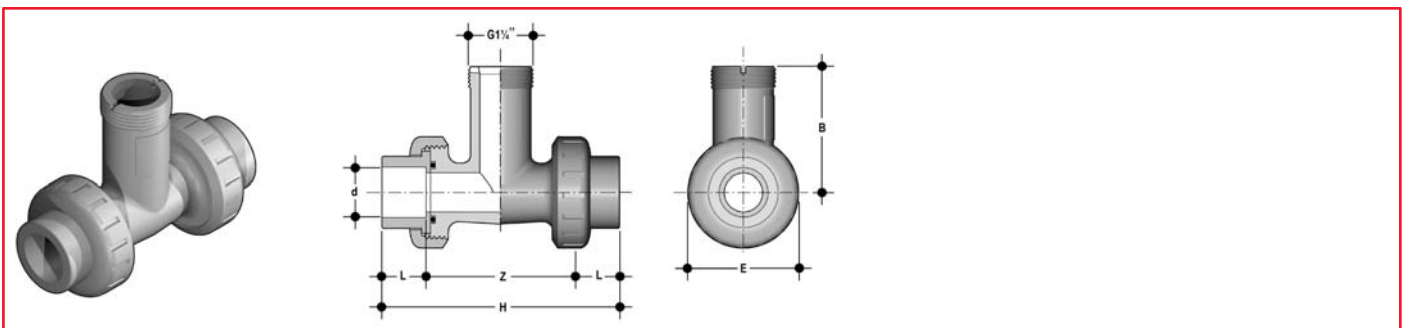
Installazione su tubi in PVC



Prese a staffa serie ASTM SCH. 80

Articolo	DN	d	O-Ring	Corpo	Inserto	E	h	H	Diametro di foratura	Lunghezza sensore
SCAC2.0BVM	2.00"	60.3 (2.375")	EPDM	PVC-C	PVC-C	116	83.5	105	35	L0
SCAC2.5BVM	2.50"	75.2 (2.875")	EPDM	PVC-C	PVC-C	134	87.1	105	35	L0
SCAC3.0BVM	3.00"	88.9 (3.500")	EPDM	PVC-C	PVC-C	152	92.6	105	40	L0
SCAC4.0BVM	4.00"	114.3 (4.500")	EPDM	PVC-C	PVC-C	176	101.5	105	40	L0
SCAC5.0BVM	5.00"	140.2 (5.520")	EPDM	PVC-C	PVC-C	214	141.0	114	40	L1
SCAC6.0BVM	6.00"	168.3 (6.625")	EPDM	PVC-C	PVC-C	238	150.1	120	40	L1
SCAC8.0BVM	8.00"	219.1 (8.625")	EPDM	PVC-C	PVC-C	333	168.0	125	40	L1
SCAC2.0DVM	2.00"	60.3 (2.375")	FPM	PVC-C	PVC-C	116	83.5	105	35	L0
SCAC2.5DVM	2.50"	75.2 (2.875")	FPM	PVC-C	PVC-C	134	87.1	105	35	L0
SCAC3.0DVM	3.00"	88.9 (3.500")	FPM	PVC-C	PVC-C	152	92.6	105	40	L0
SCAC4.0DVM	4.00"	114.3 (4.500")	FPM	PVC-C	PVC-C	176	101.5	105	40	L0
SCAC5.0DVM	5.00"	140.2 (5.520")	FPM	PVC-C	PVC-C	214	141.0	114	40	L1
SCAC6.0DVM	6.00"	168.3 (6.625")	FPM	PVC-C	PVC-C	238	150.1	120	40	L1
SCAC8.0DVM	8.00"	219.1 (8.625")	FPM	PVC-C	PVC-C	333	168.0	125	40	L1

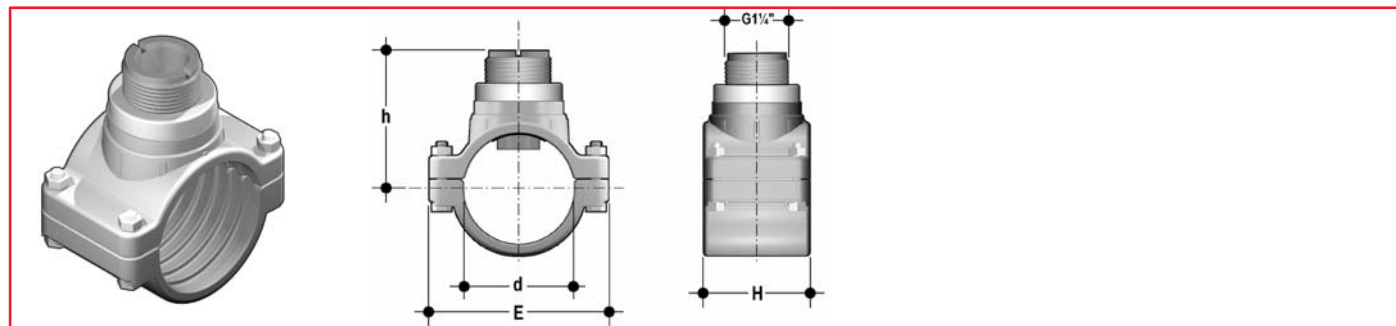
Installazione su tubi in PVC-C



Raccordi a T in PVC-C serie ISO (Attacchi femmina per incollaggio)

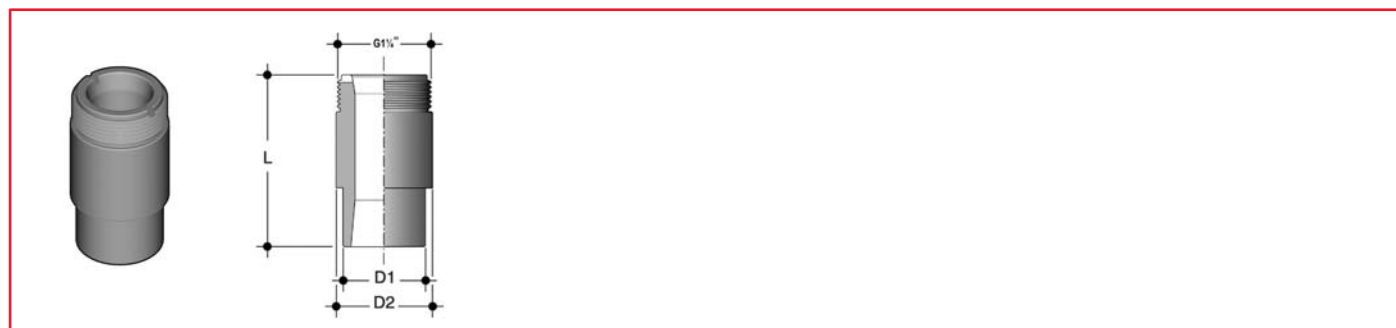
Articolo	DN	d	O-Ring	H	Z	L	B	E	Lunghezza sensore
TFIC20B	15 mm	20	EPDM	107	75	16	77	53	L0
TFIC25B	20 mm	25	EPDM	120	82	19	80	62	L0
TFIC32B	25 mm	32	EPDM	134	90	22	81	71	L0
TFIC40B	32 mm	40	EPDM	164	112	26	84	84	L0
TFIC50B	40 mm	50	EPDM	199	138	31.5	82.5	98	L0
TFIC20D	15 mm	20	FPM	107	75	16	77	53	L0
TFIC25D	20 mm	25	FPM	120	82	19	80	62	L0
TFIC32D	25 mm	32	FPM	134	90	22	81	71	L0
TFIC40D	32 mm	40	FPM	164	112	26	84	84	L0
TFIC50D	40 mm	50	FPM	199	138	31.5	82.5	98	L0

Installazione su tubi in PVC-C



Prese a staffa serie ISO

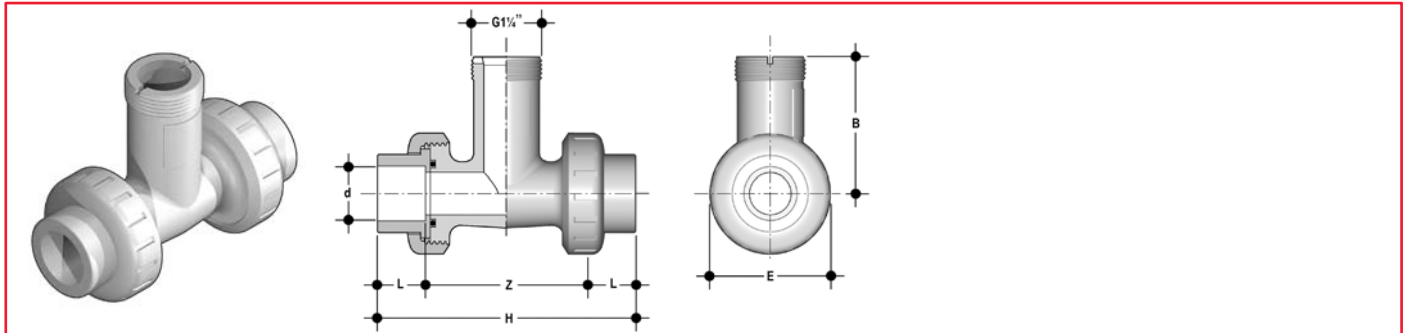
Articolo	DN	d	O-Ring	Corpo	Inserto	E	h	H	Diametro di foratura	Lunghezza sensore
SCIC063BVC	50	63	EPDM	PVC-C	PVC-C	116	86.7	105	35	L0
SCIC075BVC	65	75	EPDM	PVC-C	PVC-C	134	90.8	105	35	L0
SCIC090BVC	80	90	EPDM	PVC-C	PVC-C	152	95.9	105	40	L0
SCIC110BVC	100	110	EPDM	PVC-C	PVC-C	176	102.8	105	40	L0
SCIC125BVC	110	125	EPDM	PVC-C	PVC-C	190	137.9	112	40	L1
SCIC140BVC	125	140	EPDM	PVC-C	PVC-C	214	143.1	114	40	L1
SCIC160BVC	150	160	EPDM	PVC-C	PVC-C	238	149.9	120	40	L1
SCIC200BVC	180	200	EPDM	PVC-C	PVC-C	300	163.7	133	40	L1
SCIC225BVC	200	225	EPDM	PVC-C	PVC-C	333	172.3	125	40	L1
SCIC063DVC	50	63	FPM	PVC-C	PVC-C	116	86.7	105	35	L0
SCIC075DVC	65	75	FPM	PVC-C	PVC-C	134	90.8	105	35	L0
SCIC090DVC	80	90	FPM	PVC-C	PVC-C	152	95.9	105	40	L0
SCIC110DVC	100	110	FPM	PVC-C	PVC-C	176	102.8	105	40	L0
SCIC125DVC	110	125	FPM	PVC-C	PVC-C	190	137.9	112	40	L1
SCIC140DVC	125	140	FPM	PVC-C	PVC-C	214	143.1	114	40	L1
SCIC160DVC	150	160	FPM	PVC-C	PVC-C	238	149.9	120	40	L1
SCIC200DVC	180	200	FPM	PVC-C	PVC-C	300	163.7	133	40	L1
SCIC225DVC	200	225	FPM	PVC-C	PVC-C	333	172.3	125	40	L1
SMIC250IVC	225	250	NBR	PP	PVC-C	324	203.5	79	40	L1
SMIC280IVC	250	280	NBR	PP	PVC-C	385	212.2	88	40	L1
SMIC315IVC	280	315	NBR	PP	PVC-C	385	220.1	88	40	L1



Raccordi ad incollaggio in PVC-C

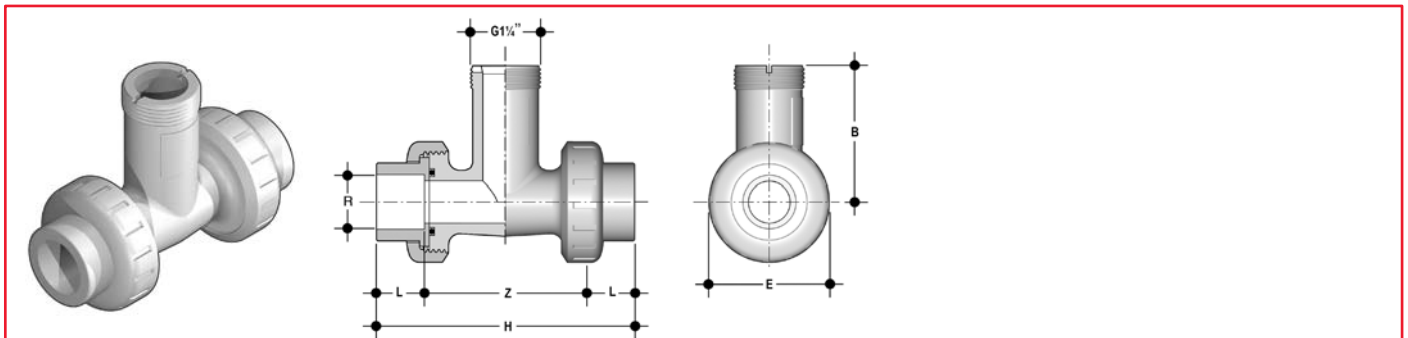
Articolo	DN	d	L	D1	D2	Diametro di foratura	Lunghezza sensore
WAIC063	50	63	68.5	50	40	40	L0
WAIC075	65	75	68.5	50	40	40	L0
WAIC090	80	90	68.5	50	40	40	L0
WAIC110	100	110	68.5	50	40	40	L0
WAIC125	110	125	68.5	50	40	40	L0
WAIC140	125	140	68.5	50	40	40	L0
WAIC160	150	160	68.5	50	40	40	L0
WAIC200	180	200	68.5	50	40	40	L0
WAIC225	200	225	68.5	50	40	40	L0
WAIC250	225	250	98.5	50	40	40	L1
WAIC280	250	280	98.5	50	40	40	L1
WAIC315	280	315	98.5	50	40	40	L1

Installazione su tubi in PP



Raccordi a T in PP serie ISO (Attacchi femmina per saldatura termica)

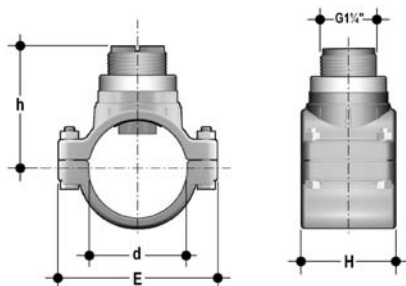
Articolo	DN	d	O-Ring	H	Z	L	B	E	Lunghezza sensore
TFIM20B	15 mm	20	EPDM	107	75	16	77	53	L0
TFIM25B	20 mm	25	EPDM	120	82	19	80	62	L0
TFIM32B	25 mm	32	EPDM	134	90	22	81	71	L0
TFIM40B	32 mm	40	EPDM	164	112	26	84	84	L0
TFIM50B	40 mm	50	EPDM	199	138	31.5	82.5	98	L0
TFIM20D	15 mm	20	FPM	107	75	16	77	53	L0
TFIM25D	20 mm	25	FPM	120	82	19	80	62	L0
TFIM32D	25 mm	32	FPM	134	90	22	81	71	L0
TFIM40D	32 mm	40	FPM	164	112	26	84	84	L0
TFIM50D	40 mm	50	FPM	199	138	31.5	82.5	98	L0



Raccordi a T in PP serie BSP (Attacchi femmina filettati GAS)

Articolo	DN	R	O-Ring	H	Z	L	B	E	Lunghezza sensore
TFFM20B	0.50"	0.50	EPDM	107	75	16	77	53	L0
TFFM25B	0.75"	0.75	EPDM	120	82	19	80	62	L0
TFFM32B	1.00"	1.00	EPDM	134	90	22	81	71	L0
TFFM40B	1.25"	1.25	EPDM	164	112	26	84	84	L0
TFFM50B	1.50"	1.50	EPDM	199	138	31.5	82.5	98	L0
TFFM20D	0.50"	0.50	FPM	107	75	16	77	53	L0
TFFM25D	0.75"	0.75	FPM	120	82	19	80	62	L0
TFFM32D	1.00"	1.00	FPM	134	90	22	81	71	L0
TFFM40D	1.25"	1.25	FPM	164	112	26	84	84	L0
TFFM50D	1.50"	1.50	FPM	199	138	31.5	82.5	98	L0

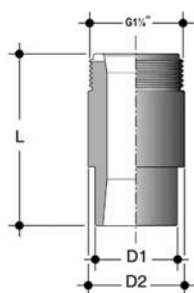
Installazione su tubi in PP



Prese a staffa serie ISO

Articolo	DN	d	O-Ring	Corpo	Inserto*	E	h	H	Diametro di foratura	Lunghezza sensore
SCIC063BME	50	63	EPDM	PVC-C	PVC-C	116	84.3	105	35	L0
SCIC075BME	65	75	EPDM	PVC-C	PVC-C	134	88.0	105	35	L0
SCIC090BME	80	90	EPDM	PVC-C	PVC-C	152	92.6	105	40	L0
SCIC110BME	100	110	EPDM	PVC-C	PVC-C	176	98.8	105	40	L0
SCIC125BME	110	125	EPDM	PVC-C	PVC-C	190	133.3	112	40	L1
SCIC140BME	125	140	EPDM	PVC-C	PVC-C	214	138.0	114	40	L1
SCIC160BME	150	160	EPDM	PVC-C	PVC-C	238	144.1	120	40	L1
SCIC200BME	180	200	EPDM	PVC-C	PVC-C	300	156.4	133	40	L1
SCIC225BME	200	225	EPDM	PVC-C	PVC-C	333	164.1	125	40	L1
SCIC063DME	50	63	FPM	PVC-C	PVC-C	116	84.3	105	35	L0
SCIC075DME	65	75	FPM	PVC-C	PVC-C	134	88.0	105	35	L0
SCIC090DME	80	90	FPM	PVC-C	PVC-C	152	92.6	105	40	L0
SCIC110DME	100	110	FPM	PVC-C	PVC-C	176	98.8	105	40	L0
SCIC125DME	110	125	FPM	PVC-C	PVC-C	190	133.3	112	40	L1
SCIC140DME	125	140	FPM	PVC-C	PVC-C	214	138.0	114	40	L1
SCIC160DME	150	160	FPM	PVC-C	PVC-C	238	144.1	120	40	L1
SCIC200DME	180	200	FPM	PVC-C	PVC-C	300	156.4	133	40	L1
SCIC225DME	200	225	FPM	PVC-C	PVC-C	333	164.1	125	40	L1
SMIC250IME	225	250	NBR	PP	PVC-C	324	189.9	79	40	L1
SMIC280IME	250	280	NBR	PP	PVC-C	385	200.2	88	40	L1
SMIC315IME	280	315	NBR	PP	PVC-C	385	209.3	88	40	L1

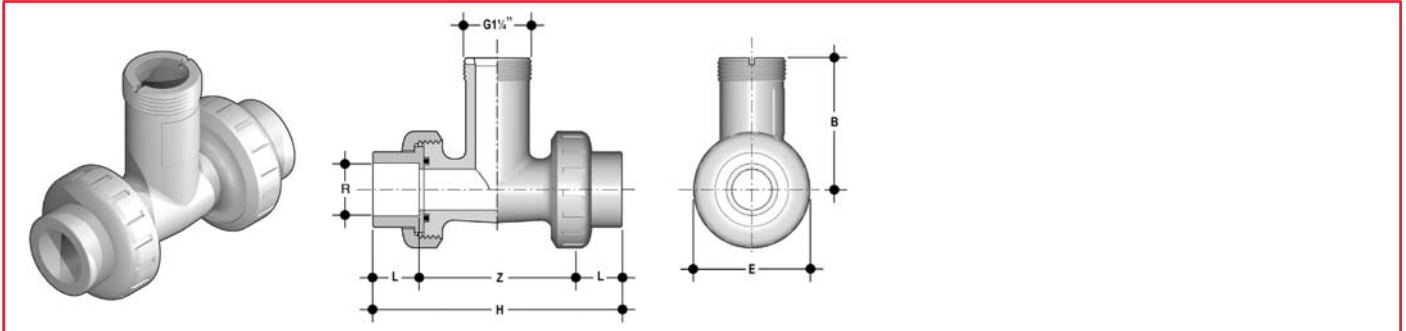
* Inserto in PVDF disponibile su richiesta



Raccordi a saldare in PP

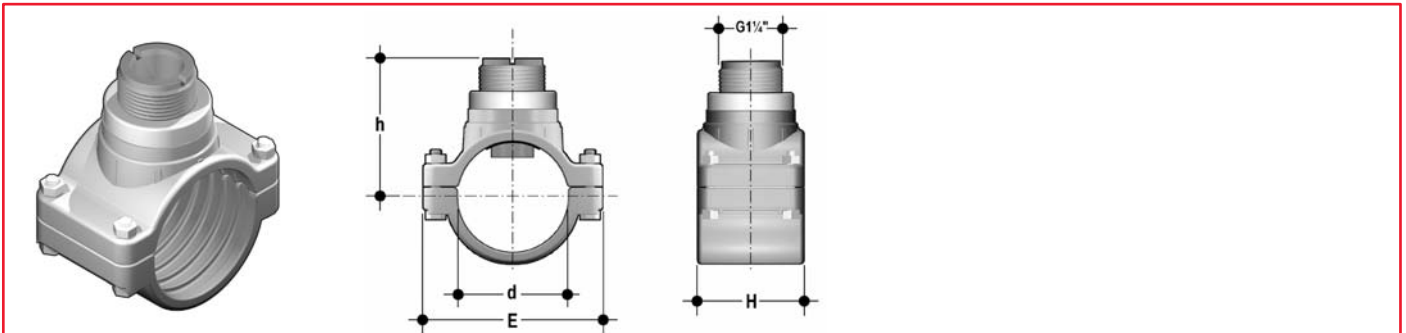
Articolo	DN	O. D.	L	D1	D2	Diametro di foratura	Lunghezza sensore
WAIM063	50	63	68.5	50	40	40	L0
WAIM075	65	75	68.5	50	40	40	L0
WAIM090	80	90	68.5	50	40	40	L0
WAIM110	100	110	68.5	50	40	40	L0
WAIM125	110	125	68.5	50	40	40	L0
WAIM140	125	140	68.5	50	40	40	L0
WAIM160	150	160	68.5	50	40	40	L0
WAIM200	180	200	68.5	50	40	40	L0
WAIM225	200	225	68.5	50	40	40	L0
WAIM250	225	250	98.5	50	40	40	L1
WAIM280	250	280	98.5	50	40	40	L1
WAIM315	280	315	98.5	50	40	40	L1

Installazione su tubi in PP



Raccordi a T in PP serie NPT (Attacchi femmina filettati NPT)

Articolo	DN	R	O-Ring	H	Z	L	B	E	Lunghezza sensore
TFNM20B	0.50"	0.50	EPDM	107	75	16	77	53	L0
TFNM25B	0.75"	0.75	EPDM	120	82	19	80	62	L0
TFNM32B	1.00"	1.00	EPDM	134	90	22	81	71	L0
TFNM40B	1.25"	1.25	EPDM	164	112	26	84	84	L0
TFNM50B	1.50"	1.50	EPDM	199	138	31.5	82.5	98	L0
TFNM20D	0.50"	0.50	FPM	107	75	16	77	53	L0
TFNM25D	0.75"	0.75	FPM	120	82	19	80	62	L0
TFNM32D	1.00"	1.00	FPM	134	90	22	81	71	L0
TFNM40D	1.25"	1.25	FPM	164	112	26	84	84	L0
TFNM50D	1.50"	1.50	FPM	199	138	31.5	82.5	98	L0

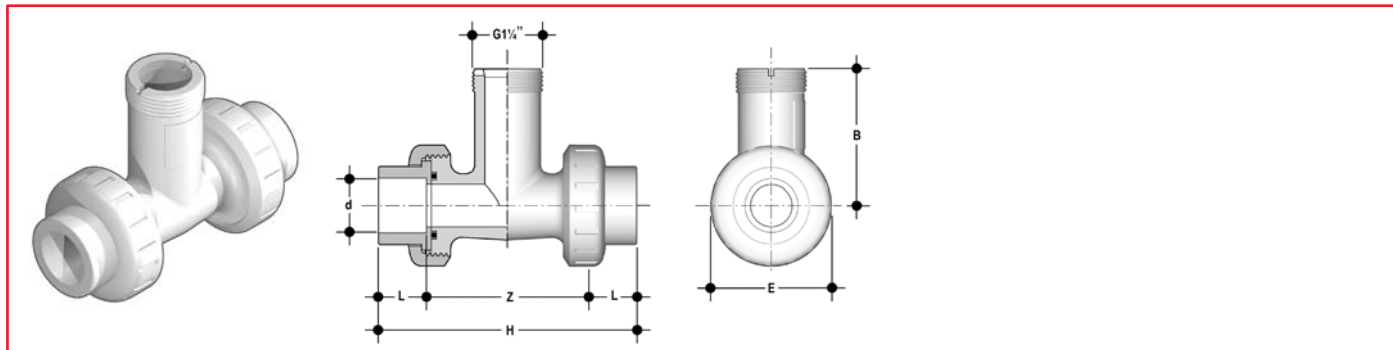


Prese a staffa serie ASTM SCH. 80

Articolo	DN	d	O-Ring	Corpo	Inserto*	E	h	H	Diametro di foratura	Lunghezza sensore
SCAC2.0BME	2.00"	60.3 (2.375")	EPDM	PVC-C	PVC-C	116	83.5	105	35	L0
SCAC2.5BME	2.50"	75.2 (2.875")	EPDM	PVC-C	PVC-C	134	87.1	105	35	L0
SCAC3.0BME	3.00"	88.9 (3.500")	EPDM	PVC-C	PVC-C	152	92.6	105	40	L0
SCAC4.0BME	4.00"	114.3 (4.500")	EPDM	PVC-C	PVC-C	176	101.5	105	40	L0
SCAC5.0BME	5.00"	140.2 (5.520")	EPDM	PVC-C	PVC-C	214	141.0	114	40	L1
SCAC6.0BME	6.00"	168.3 (6.625")	EPDM	PVC-C	PVC-C	238	150.1	120	40	L1
SCAC8.0BME	8.00"	219.1 (8.625")	EPDM	PVC-C	PVC-C	333	168.0	125	40	L1
SCAC2.0DME	2.00"	60.3 (2.375")	FPM	PVC-C	PVC-C	116	83.5	105	35	L0
SCAC2.5DME	2.50"	75.2 (2.875")	FPM	PVC-C	PVC-C	134	87.1	105	35	L0
SCAC3.0DME	3.00"	88.9 (3.500")	FPM	PVC-C	PVC-C	152	92.6	105	40	L0
SCAC4.0DME	4.00"	114.3 (4.500")	FPM	PVC-C	PVC-C	176	101.5	105	40	L0
SCAC5.0DME	5.00"	140.2 (5.520")	FPM	PVC-C	PVC-C	214	141.0	114	40	L1
SCAC6.0DME	6.00"	168.3 (6.625")	FPM	PVC-C	PVC-C	238	150.1	120	40	L1
SCAC8.0DME	8.00"	219.1 (8.625")	FPM	PVC-C	PVC-C	333	168.0	125	40	L1

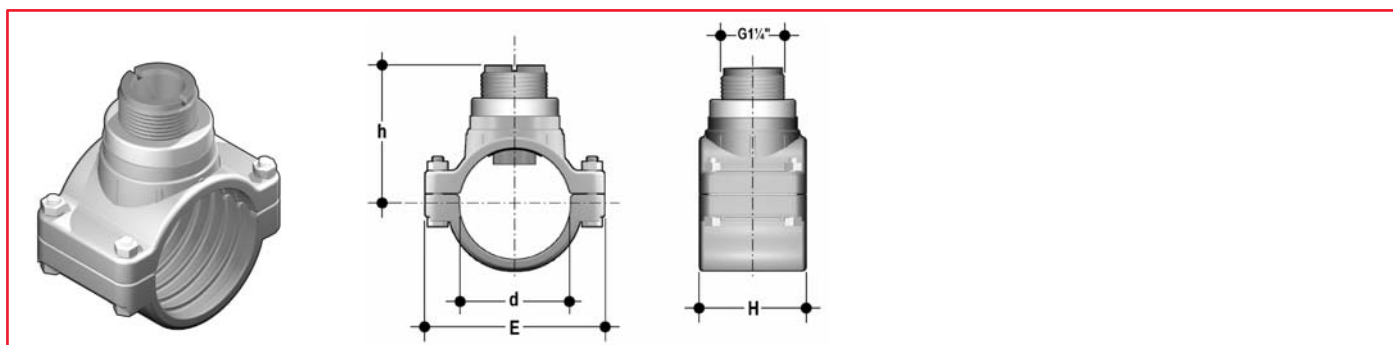
* Inserto in PVDF disponibile su richiesta

Installazione su tubi in PVDF



Raccordi a T in PVDF serie ISO (Attacchi femmina per saldatura termica)

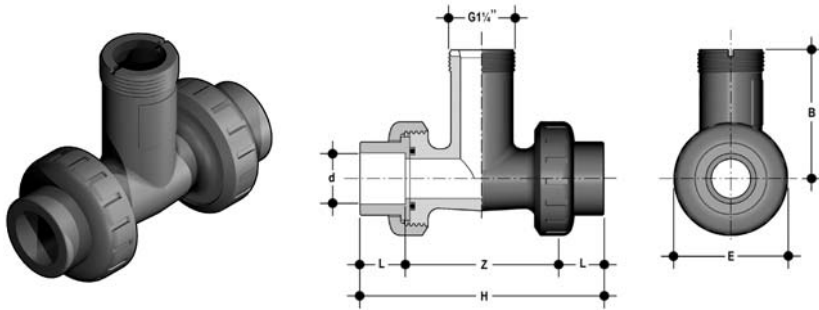
Articolo	DN	d	O-Ring	H	Z	L	B	E	Lunghezza sensore
TFIF20B	15 mm	20	EPDM	107	75	16	77	53	L0
TFIF25B	20 mm	25	EPDM	120	82	19	80	62	L0
TFIF32B	25 mm	32	EPDM	134	90	22	81	71	L0
TFIF40B	32 mm	40	EPDM	164	112	26	84	84	L0
TFIF50B	40 mm	50	EPDM	199	138	31.5	82.5	98	L0
TFIF20D	15 mm	20	FPM	107	75	16	77	53	L0
TFIF25D	20 mm	25	FPM	120	82	19	80	62	L0
TFIF32D	25 mm	32	FPM	134	90	22	81	71	L0
TFIF40D	32 mm	40	FPM	164	112	26	84	84	L0
TFIF50D	40 mm	50	FPM	199	138	31.5	82.5	98	L0



Prese a staffa serie ISO

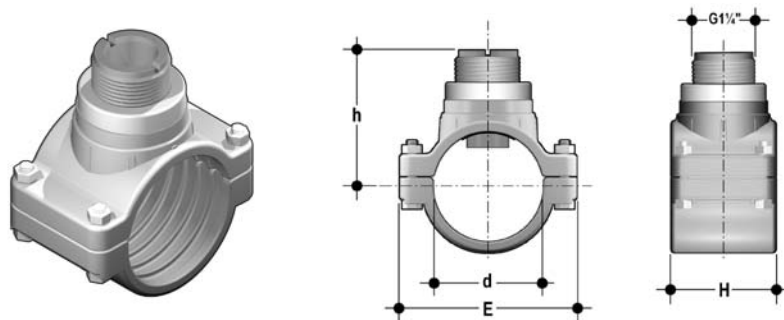
Articolo	DN	d	O-Ring	Corpo	Inserto	E	h	H	Diametro di foratura	Lunghezza sensore
SCIC063BF	50	63	EPDM	PVC-C	PVDF	116	87.2	105	35	L0
SCIC075BF	65	75	EPDM	PVC-C	PVDF	134	91.5	105	35	L0
SCIC090BF	80	90	EPDM	PVC-C	PVDF	152	96.8	105	40	L0
SCIC110BF	100	110	EPDM	PVC-C	PVDF	176	104.0	105	40	L0
SCIC125BF	110	125	EPDM	PVC-C	PVDF	190	139.3	112	40	L1
SCIC140BF	125	140	EPDM	PVC-C	PVDF	214	144.6	114	40	L1
SCIC160BF	150	160	EPDM	PVC-C	PVDF	238	151.8	120	40	L1
SCIC200BF	180	200	EPDM	PVC-C	PVDF	300	165.9	133	40	L1
SCIC225BF	200	225	EPDM	PVC-C	PVDF	333	174.9	125	40	L1
SCIC063DF	50	63	FPM	PVC-C	PVDF	116	87.2	105	35	L0
SCIC075DF	65	75	FPM	PVC-C	PVDF	134	91.5	105	35	L0
SCIC090DF	80	90	FPM	PVC-C	PVDF	152	96.8	105	40	L0
SCIC110DF	100	110	FPM	PVC-C	PVDF	176	104.0	105	40	L0
SCIC125DF	110	125	FPM	PVC-C	PVDF	190	139.3	112	40	L1
SCIC140DF	125	140	FPM	PVC-C	PVDF	214	144.6	114	40	L1
SCIC160DF	150	160	FPM	PVC-C	PVDF	238	151.8	120	40	L1
SCIC200DF	180	200	FPM	PVC-C	PVDF	300	165.9	133	40	L1
SCIC225DF	200	225	FPM	PVC-C	PVDF	333	174.9	125	40	L1

Installazione su tubi in PE



Raccordi a T in PVC serie ISO (Attacchi in PE per saldatura di testa)

Articolo	DN	d	O-Ring	H	Z	L	B	E	Lunghezza sensore
TFIV20BE	15 mm	20	EPDM	107	75	16	77	53	L0
TFIV25BE	20 mm	25	EPDM	120	82	19	80	62	L0
TFIV32BE	25 mm	32	EPDM	134	90	22	81	71	L0
TFIV40BE	32 mm	40	EPDM	164	112	26	84	84	L0
TFIV50BE	40 mm	50	EPDM	199	138	31.5	82.5	98	L0
TFIV20DE	15 mm	20	FPM	107	75	16	77	53	L0
TFIV25DE	20 mm	25	FPM	120	82	19	80	62	L0
TFIV32DE	25 mm	32	FPM	134	90	22	81	71	L0
TFIV40DE	32 mm	40	FPM	164	112	26	84	84	L0
TFIV50DE	40 mm	50	FPM	199	138	31.5	82.5	98	L0



Prese a staffa serie ISO

Articolo	DN	d	O-Ring	Corpo	Inserto	E	h	H	Diametro di foratura	Lunghezza sensore
SCIC063BME	50	63	EPDM	PVC-C	PVC-C	116	84.3	105	35	L0
SCIC075BME	65	75	EPDM	PVC-C	PVC-C	134	88.0	105	35	L0
SCIC090BME	80	90	EPDM	PVC-C	PVC-C	152	92.6	105	40	L0
SCIC110BME	100	110	EPDM	PVC-C	PVC-C	176	98.8	105	40	L0
SCIC125BME	110	125	EPDM	PVC-C	PVC-C	190	133.3	112	40	L1
SCIC140BME	125	140	EPDM	PVC-C	PVC-C	214	138.0	114	40	L1
SCIC160BME	150	160	EPDM	PVC-C	PVC-C	238	144.1	120	40	L1
SCIC200BME	180	200	EPDM	PVC-C	PVC-C	300	156.4	133	40	L1
SCIC225BME	200	225	EPDM	PVC-C	PVC-C	333	164.1	125	40	L1
SCIC063DME	50	63	FPM	PVC-C	PVC-C	116	84.3	105	35	L0
SCIC075DME	65	75	FPM	PVC-C	PVC-C	134	88.0	105	35	L0
SCIC090DME	80	90	FPM	PVC-C	PVC-C	152	92.6	105	40	L0
SCIC110DME	100	110	FPM	PVC-C	PVC-C	176	98.8	105	40	L0
SCIC125DME	110	125	FPM	PVC-C	PVC-C	190	133.3	112	40	L1
SCIC140DME	125	140	FPM	PVC-C	PVC-C	214	138.0	114	40	L1
SCIC160DME	150	160	FPM	PVC-C	PVC-C	238	144.1	120	40	L1
SCIC200DME	180	200	FPM	PVC-C	PVC-C	300	156.4	133	40	L1
SCIC225DME	200	225	FPM	PVC-C	PVC-C	333	164.1	125	40	L1
SMIC250IME	225	250	NBR	PP	PVC-C	324	189.9	79	40	L1
SMIC280IME	250	280	NBR	PP	PVC-C	385	200.2	88	40	L1
SMIC315IME	280	315	NBR	PP	PVC-C	385	209.3	88	40	L1

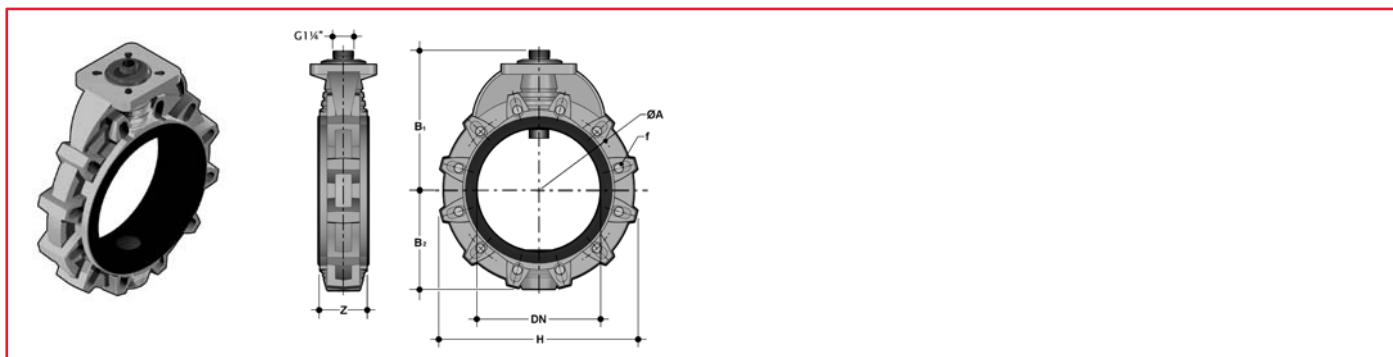
Installazione su tubi in PE



Raccordi a saldare in PE

Articolo	DN	O. D.	L	D1	D2	Diametro di foratura	Lunghezza sensore
WAIE063	50	63	68.5	50	40	40	L0
WAIE075	65	75	68.5	50	40	40	L0
WAIE090	80	90	68.5	50	40	40	L0
WAIE110	100	110	68.5	50	40	40	L0
WAIE125	110	125	68.5	50	40	40	L0
WAIE140	125	140	68.5	50	40	40	L0
WAIE160	150	160	68.5	50	40	40	L0
WAIE200	180	200	68.5	50	40	40	L0
WAIE225	200	225	68.5	50	40	40	L0
WAIE250	225	250	98.5	50	40	40	L1
WAIE280	250	280	98.5	50	40	40	L1
WAIE315	280	315	98.5	50	40	40	L1

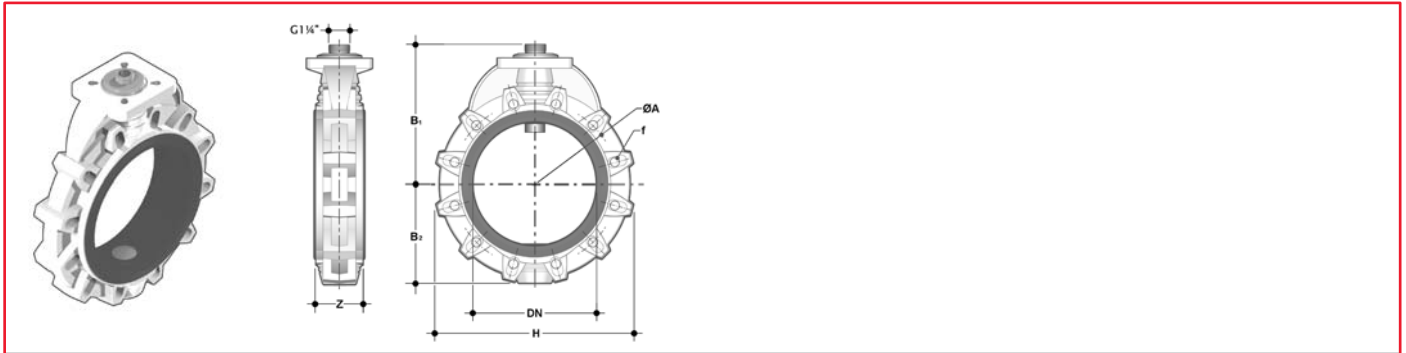
Installazione speciali su tubi DN 250 e DN 300



Raccordi wafer in PVC

Articolo	DN	d	O-ring	Corpo	Inserto	H	Z	B1	B2	Φ A min.	Φ A max	f.	Lunghezza sensore
WVIC280B	250	280	EPDM	PVC	PVC-C	405	114	270	210	335	362	25.4	L0
WVIC315B	300	315	EPDM	PVC	PVC-C	475	114	327	245	390	432	29	L0
WVIC280D	250	280	FPM	PVC	PVC-C	405	114	270	210	335	362	25.4	L0
WVIC315D	300	315	FPM	PVC	PVC-C	475	114	327	245	390	432	29	L0

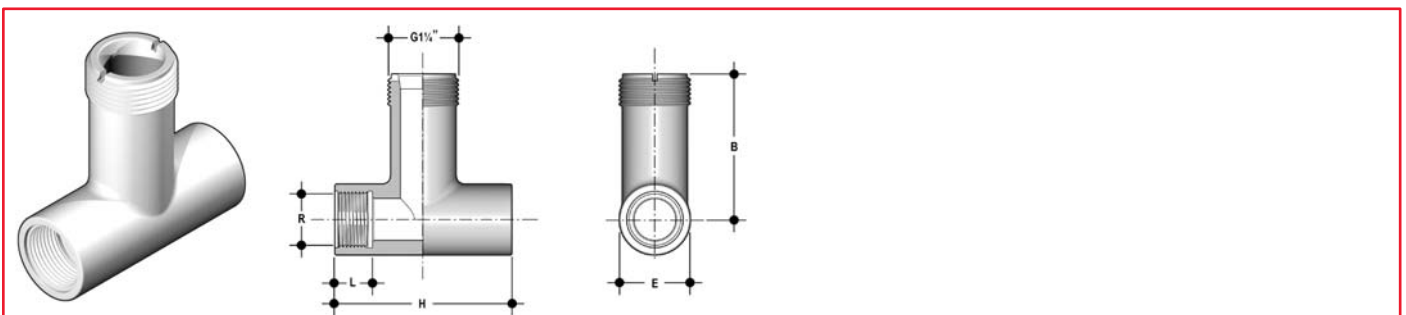
Installazione speciali su tubi DN 250 e DN 300



Raccordi wafer in PP

Articolo	DN	d	O-ring	Corpo	Inserto	H	Z	B1	B2	Φ A min.	Φ A max	f.	Lunghezza sensore
WFIC280B	250	280	EPDM	GR-PP	PVC-C	405	114	270	210	335	362	25.4	L0
WFIC315B	300	315	EPDM	GR-PP	PVC-C	475	114	327	245	390	432	29	L0
WFIC280D	250	280	FPM	GR-PP	PVC-C	405	114	270	210	335	362	25.4	L0
WFIC315D	300	315	FPM	GR-PP	PVC-C	475	114	327	245	390	432	29	L0

Adattatori in metallo



Raccordi a T in AISI 316L (estremità filettate femmina GAS)

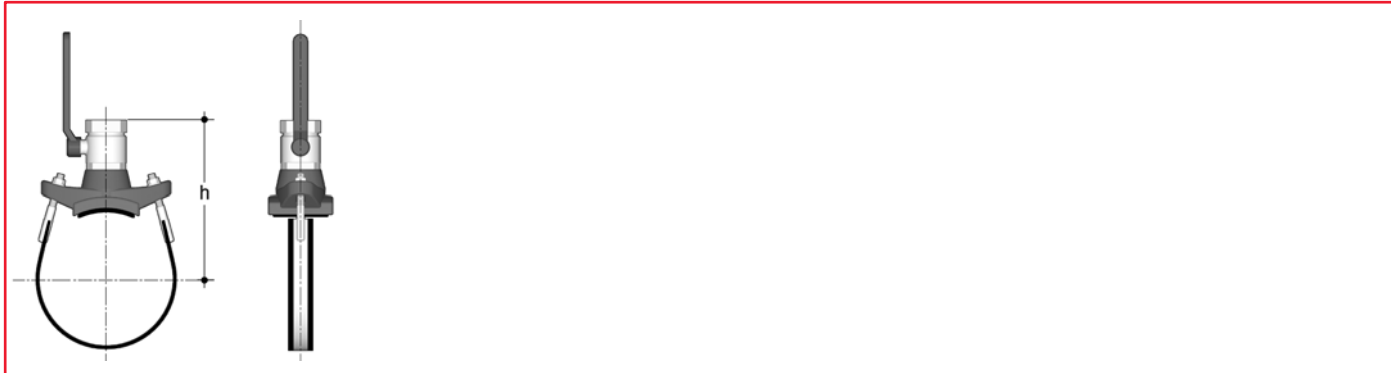
Articolo	DN	R	H	L	B	E	Lunghezza sensore
TFFX25	20	0.75"	95	20	81.2	42	L0
TFFX32	25	1.00"	105	22.5	81.2	42	L0
TFFX40	32	1.25"	120	20.5	83.8	54	L0



Collari di presa con cinghia

Articolo	DN	O. D. min	O. D. max	Corpo	Inserto	O-ring	h	Diametro di foratura	Lunghezza sensore
SZIC080I	80	88	104	Ghisa + inox	PVC-C	NBR	153	40	L0
SZIC100I	100	112	126	Ghisa + inox	PVC-C	NBR	160	40	L0
SZIC125I	125	140	154	Ghisa + inox	PVC-C	NBR	170	40	L0
SZIC150I	150	168	184	Ghisa + inox	PVC-C	NBR	180	40	L0
SZIC200I	200	218	244	Ghisa + inox	PVC-C	NBR	228	40	L1
SZIC250I	250	272	295	Ghisa + inox	PVC-C	NBR	247	40	L1
SZIC300I	300	322	354	Ghisa + inox	PVC-C	NBR	266	40	L1
SZIC350I	350	356	414	Ghisa + inox	PVC-C	NBR	305	40	L1
SZIC400I	400	406	472	Ghisa + inox	PVC-C	NBR	324	40	L1
SZIC450I	450	457	534	Ghisa + inox	PVC-C	NBR	343	40	L1

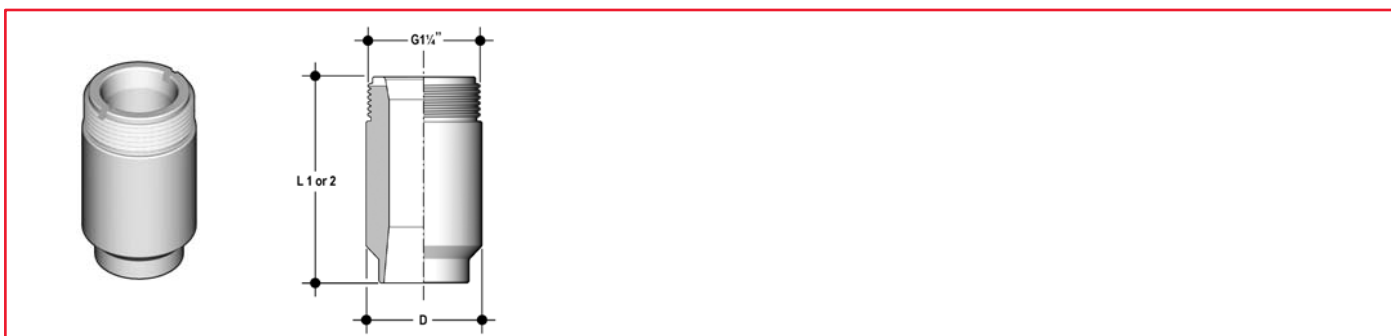
Adattatori in metallo



Collari di presa con cinghia per installazione in carico

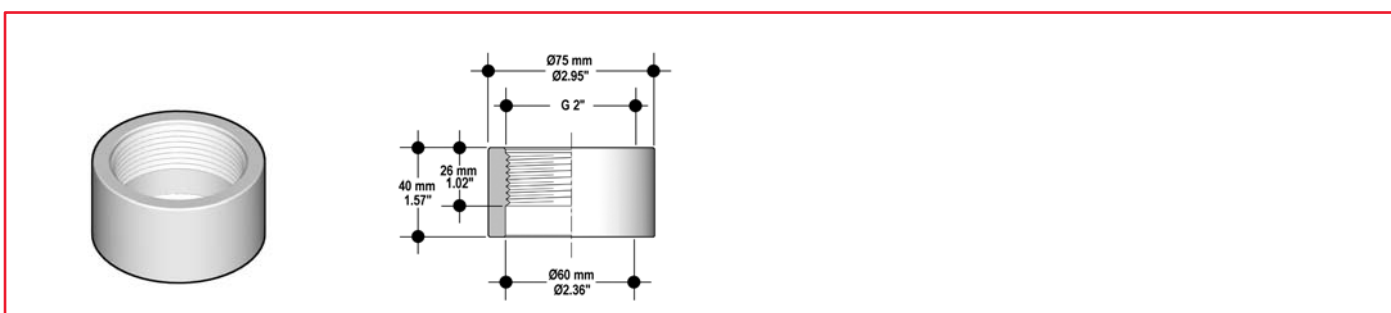
Articolo	DN	O. D. min	O. D. max	Corpo	Derivazione (GAS)	O-ring	h
SZIC080I	80	88	104	Ghisa + inox	2.00"	NBR	160
SZIC100I	100	112	126	Ghisa + inox	2.00"	NBR	170
SZIC125I	125	140	154	Ghisa + inox	2.00"	NBR	172
SZIC150I	150	168	184	Ghisa + inox	2.00"	NBR	172
SZIC200I	200	218	244	Ghisa + inox	2.00"	NBR	177
SZIC250I	250	272	295	Ghisa + inox	2.00"	NBR	175
SZIC300I	300	322	354	Ghisa + inox	2.00"	NBR	178
SZIC350I	350	356	414	Ghisa + inox	2.00"	NBR	178
SZIC400I	400	406	472	Ghisa + inox	2.00"	NBR	171
SZIC450I	450	457	534	Ghisa + inox	2.00"	NBR	180

Esecuzioni speciali a richiesta per diametri maggiori.



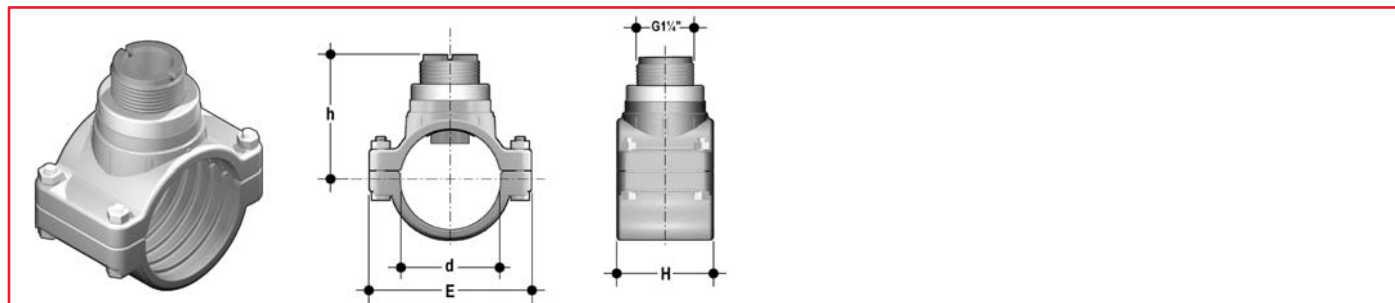
Raccordi a saldare in AISI 316L

Articolo	DN min	DN max	L	D	Lunghezza sensore
WAIXL0	40	200	68.5	43.8	L0
WAIXL1	225	600	98.5	43.8	L1



Raccordi a saldare in AISI 316L per installazione in carico

Articolo	O. D. min	Derivazione (GAS)
WAIXHT	400	2.00"

Installazione su tubi in PVC

Prese a staffa serie ISO

Articolo	DN	d	O-Ring	Corpo	Inserto	Diametro di foratura	Lunghezza sensore
SEIC063DVC	50	63	FPM	PVC-C	PVC-C	35	L0
SEIC075DVC	65	75	FPM	PVC-C	PVC-C	35	L0
SEIC090DVC	80	90	FPM	PVC-C	PVC-C	40	L0
SEIC110DVC	100	110	FPM	PVC-C	PVC-C	40	L0
SEIC125DVC	110	125	FPM	PVC-C	PVC-C	40	L0
SEIC140DVC	125	140	FPM	PVC-C	PVC-C	40	L0
SEIC160DVC	150	160	FPM	PVC-C	PVC-C	40	L1
SEIC200DVC	180	200	FPM	PVC-C	PVC-C	40	L1
SEIC225DVC	200	225	FPM	PVC-C	PVC-C	40	L1

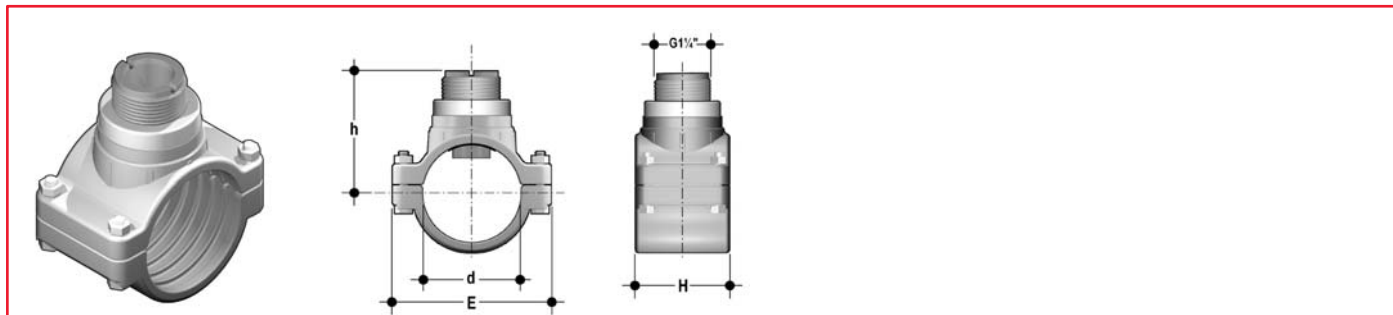
Prese a staffa serie BS

Articolo	DN	d	O-Ring	Corpo	Inserto	Diametro di foratura	Lunghezza sensore
SELC2.0DMV	2.00"	60.3 (2.375")	FPM	PVC-C	PVC-C	35	L0
SELC3.0DMV	3.00"	88.9 (3.500")	FPM	PVC-C	PVC-C	40	L0
SELC4.0DMV	4.00"	114.3 (4.500")	FPM	PVC-C	PVC-C	40	L0
SELC6.0DMV	6.00"	168.3 (6.625")	FPM	PVC-C	PVC-C	40	L1
SELC8.0DMV	8.00"	219.1 (8.625")	FPM	PVC-C	PVC-C	40	L1

Prese a staffa serie ASTM SCH. 80

Articolo	DN	d	O-Ring	Corpo	Inserto	Diametro di foratura	Lunghezza sensore
SEAC2.0DMV	2.00"	60.3 (2.375")	FPM	PVC-C	PVC-C	35	L0
SEAC2.5DMV	2.50"	75.2 (2.875")	FPM	PVC-C	PVC-C	35	L0
SEAC3.0DMV	3.00"	88.9 (3.500")	FPM	PVC-C	PVC-C	40	L0
SEAC4.0DMV	4.00"	114.3 (4.500")	FPM	PVC-C	PVC-C	40	L0
SEAC5.0DMV	5.00"	140.2 (5.520")	FPM	PVC-C	PVC-C	40	L0
SEAC6.0DMV	6.00"	168.3 (6.625")	FPM	PVC-C	PVC-C	40	L1
SEAC8.0DMV	8.00"	219.1 (8.625")	FPM	PVC-C	PVC-C	40	L1

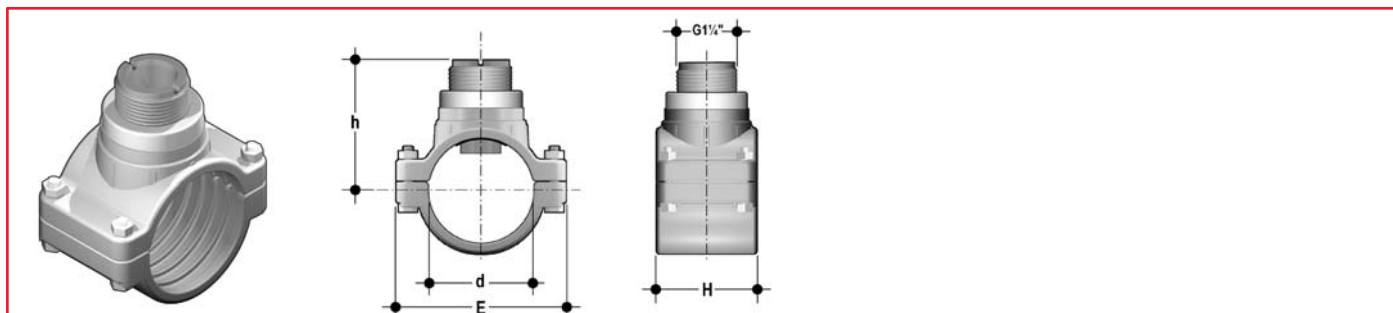
Installazione su tubi in PVC-C



Prese a staffa serie ISO

Articolo	DN	d	O-Ring	Corpo	Inserto	Diametro di foratura	Lunghezza sensore
SEIC063DVC	50	63	FPM	PVC-C	PVC-C	35	L0
SEIC075DVC	65	75	FPM	PVC-C	PVC-C	35	L0
SEIC090DVC	80	90	FPM	PVC-C	PVC-C	40	L0
SEIC110DVC	100	110	FPM	PVC-C	PVC-C	40	L0
SEIC125DVC	110	125	FPM	PVC-C	PVC-C	40	L0
SEIC140DVC	125	140	FPM	PVC-C	PVC-C	40	L0
SEIC160DVC	150	160	FPM	PVC-C	PVC-C	40	L1
SEIC200DVC	180	200	FPM	PVC-C	PVC-C	40	L1
SEIC225DVC	200	225	FPM	PVC-C	PVC-C	40	L1

Installazione su tubi in PP



Prese a staffa serie ISO

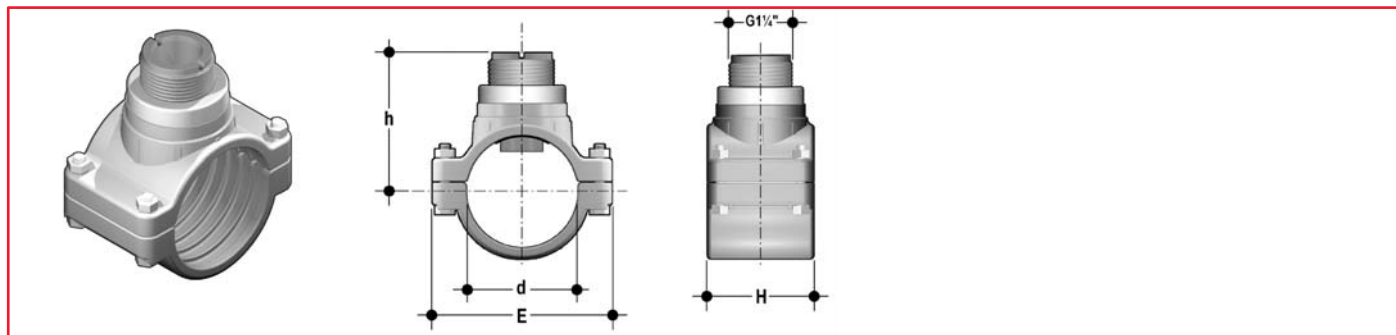
Articolo	DN	d	O-Ring	Corpo	Inserto*	Diametro di foratura	Lunghezza sensore
SEIC063DME	50	63	FPM	PVC-C	PVC-C	35	L0
SEIC075DME	65	75	FPM	PVC-C	PVC-C	35	L0
SEIC090DME	80	90	FPM	PVC-C	PVC-C	40	L0
SEIC110DME	100	110	FPM	PVC-C	PVC-C	40	L0
SEIC125DME	110	125	FPM	PVC-C	PVC-C	40	L0
SEIC140DME	125	140	FPM	PVC-C	PVC-C	40	L0
SEIC160DME	150	160	FPM	PVC-C	PVC-C	40	L1
SEIC200DME	180	200	FPM	PVC-C	PVC-C	40	L1
SEIC225DME	200	225	FPM	PVC-C	PVC-C	40	L1

Prese a staffa serie ASTM SCH. 80

Articolo	DN	d	O-Ring	Corpo	Inserto*	Diametro di foratura	Lunghezza sensore
SEAC2.0DMV	2.00"	60.3 (2.375")	FPM	PVC-C	PVC-C	35	L0
SEAC2.5DMV	2.50"	75.2 (2.875")	FPM	PVC-C	PVC-C	35	L0
SEAC3.0DMV	3.00"	88.9 (3.500")	FPM	PVC-C	PVC-C	40	L0
SEAC4.0DMV	4.00"	114.3 (4.500")	FPM	PVC-C	PVC-C	40	L0
SEAC5.0DMV	5.00"	140.2 (5.520")	FPM	PVC-C	PVC-C	40	L0
SEAC6.0DMV	6.00"	168.3 (6.625")	FPM	PVC-C	PVC-C	40	L1
SEAC8.0DMV	8.00"	219.1 (8.625")	FPM	PVC-C	PVC-C	40	L1

* Inserto in PVDF disponibile su richiesta

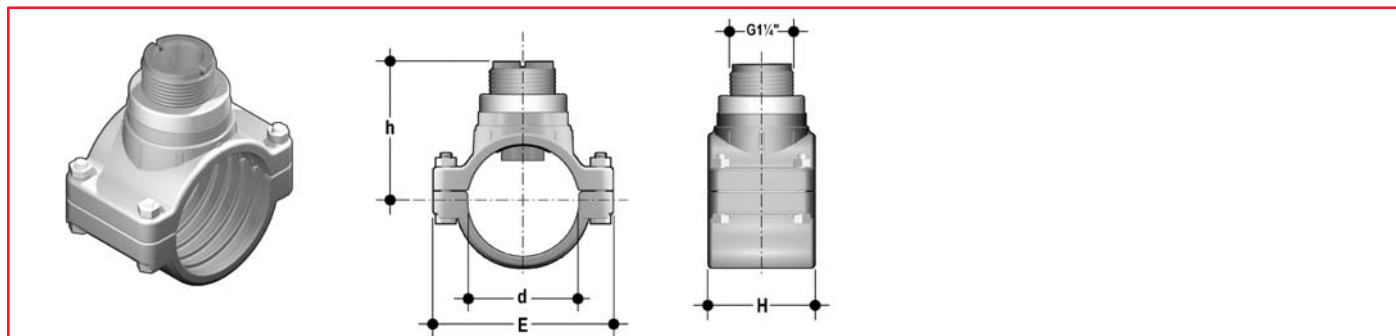
Installazione su tubi in PVDF



Prese a staffa serie ISO

Articolo	DN	d	O-Ring	Corpo	Inserto	Diametro di foratura	Lunghezza sensore
SEIF063DF	50	63	FPM	PVC-C	PVDF	35	L0
SEIF075DF	65	75	FPM	PVC-C	PVDF	35	L0
SEIF090DF	80	90	FPM	PVC-C	PVDF	40	L0
SEIF110DF	100	110	FPM	PVC-C	PVDF	40	L0
SEIF125DF	110	125	FPM	PVC-C	PVDF	40	L0
SEIF140DF	125	140	FPM	PVC-C	PVDF	40	L0
SEIF160DF	150	160	FPM	PVC-C	PVDF	40	L1
SEIF200DF	180	200	FPM	PVC-C	PVDF	40	L1
SEIF225DF	200	225	FPM	PVC-C	PVDF	40	L1

Installazione su tubi in PE



Prese a staffa serie ISO

Articolo	DN	d	O-Ring	Corpo	Inserto	Diametro di foratura	Lunghezza sensore
SEIC063DME	50	63	FPM	PVC-C	PVC-C	35	L0
SEIC075DME	65	75	FPM	PVC-C	PVC-C	35	L0
SEIC090DME	80	90	FPM	PVC-C	PVC-C	40	L0
SEIC110DME	100	110	FPM	PVC-C	PVC-C	40	L0
SEIC125DME	110	125	FPM	PVC-C	PVC-C	40	L0
SEIC140DME	125	140	FPM	PVC-C	PVC-C	40	L0
SEIC160DME	150	160	FPM	PVC-C	PVC-C	40	L1
SEIC200DME	180	200	FPM	PVC-C	PVC-C	40	L1
SEIC225DME	200	225	FPM	PVC-C	PVC-C	40	L1



GESINT S.R.L.
 Via Perosi, 5
 20010 Bareggio (MI) - ITALY
 Tel. 02/9014633 - 335/6282615
 Fax 02/90362295
 e-mail: info@gesintsrl.it
WWW.GESINTSRL.IT